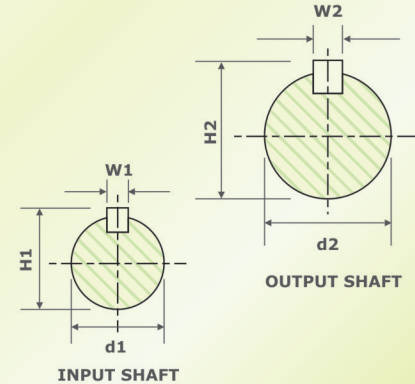
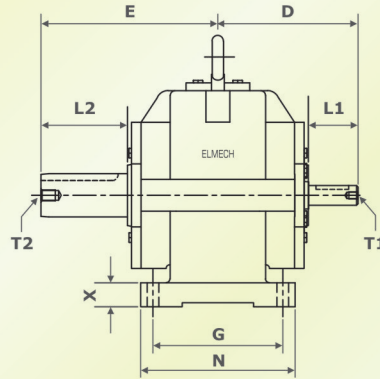
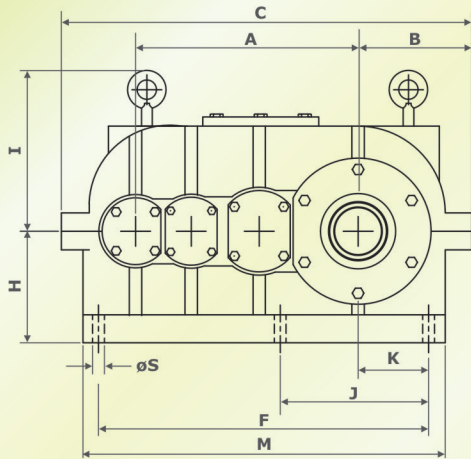


# HELICAL GEAR BOX



MODEL	OVERALL DETAILS							FIXING DETAILS								INPUT DETAILS					OUTPUT DETAILS				
	A	B	C	D	E	H	I	F	M	J	K	G	N	S	X	d1	L1	W1	H1	T1	D2	L2	W2	H2	T2
ECH-125	290	155	525	180	210	140	130	380	445	200	85	170	205	17	25	28	70	8	31.5	M8	58	100	16	62.5	M8
ECH-140	330	200	620	190	230	160	150	470	550	260	130	200	230	17	25	32	80	10	35.5	M10	70	125	18	74.5	M16
ECH-160	360	120	665	225	285	180	260	534	664	240	114	210	250	19	30	32	80	8	35.5	M10	70	140	20	75	M16
ECH-180	430	215	755	240	330	200	260	565	680	270	135	230	270	18	35	50	110	14	54	M12	90	170	22	96	M20
ECH-250	610	300	1100	310	340	280	250	630	750	210	70	310	370	28	40	60	140	18	64.5	M20	90	120	25	95.5	M16

Due to Continuous Developments, Dimensions & Other Details in this Catalogue may be changed without any notice.