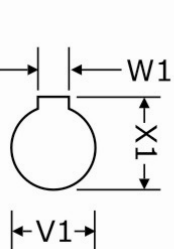
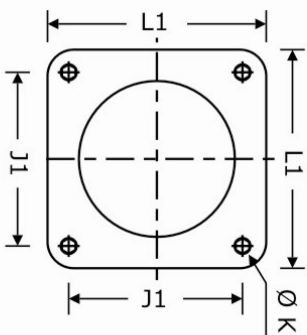
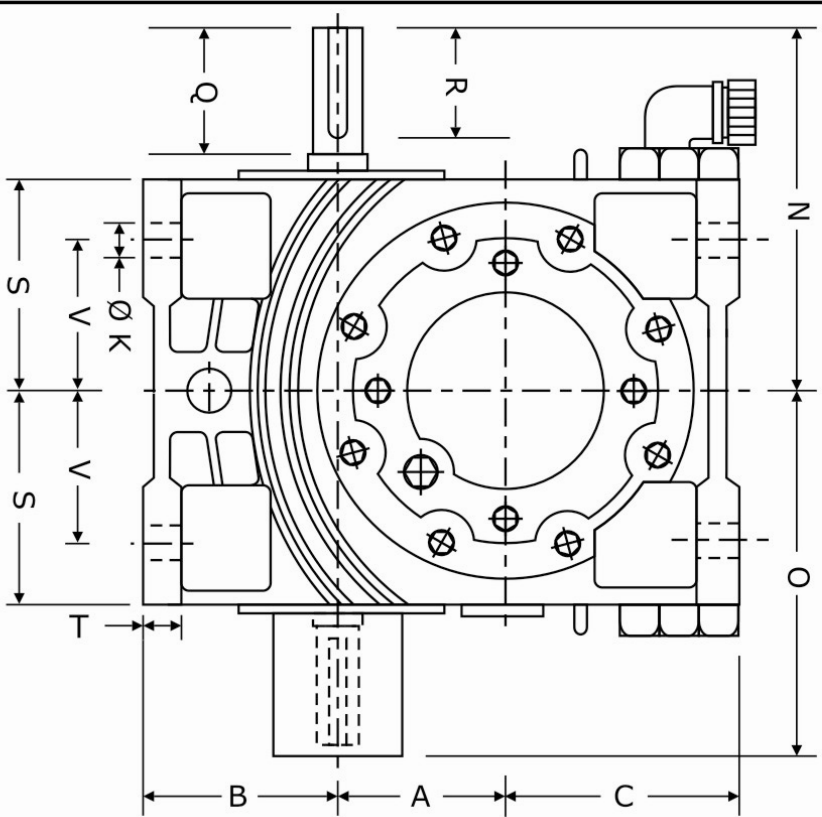
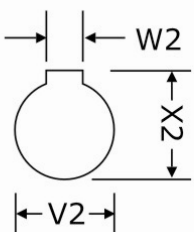


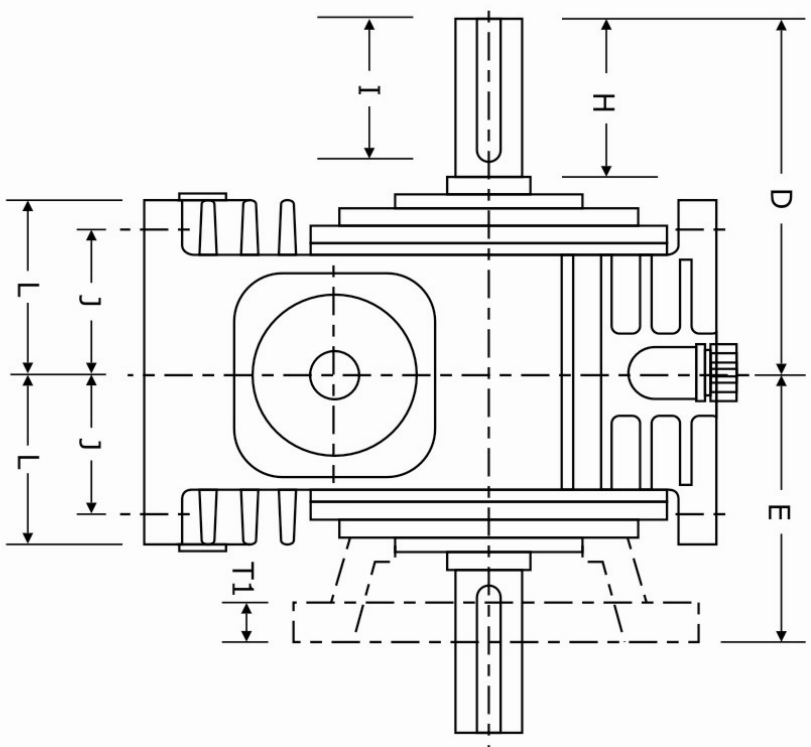
# UNIVERSAL MOUNTING (SU)



INPUT SHAFT  
KEYWAY  
DETAIL



OUTPUT SHAFT  
KEYWAY  
DETAIL



## SIZE

### OVERALL DETAILS

### FIXING DETAILS

### SHAFT DETAILS

SIZE	OVERALL DETAILS										FIXING DETAILS										SHAFT DETAILS									
	A	B	C	D	E	N	O	J	K	L	V	S	T	L1	J1	T1	Q	R	X1	W1	V1	H	I	X2	W2	V2				
2.25	57.15	70	85	136	100	142	142	52.5	11	66	52.5	76	14	120	150	14	50	45	25	6	22	60	55	29	8	25				
3.0	76.2	96	105	152	125	165	165	80	14	97.5	70	92.5	20	200	240	16	50	45	29	8	25	75	70	42	8	38				