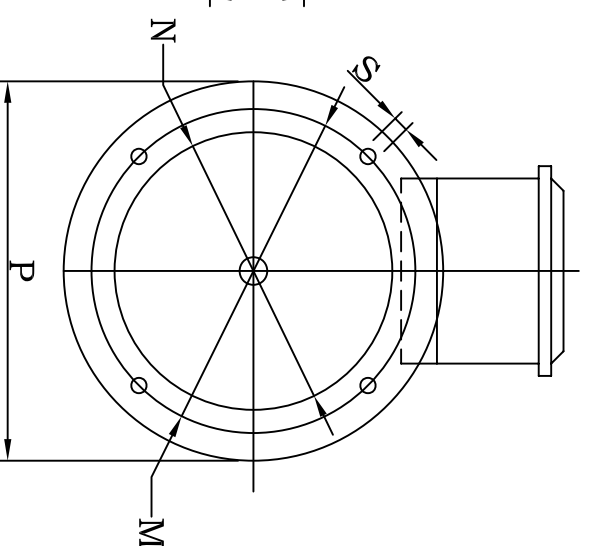
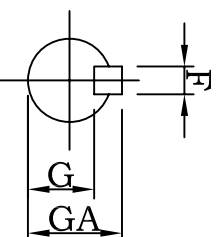
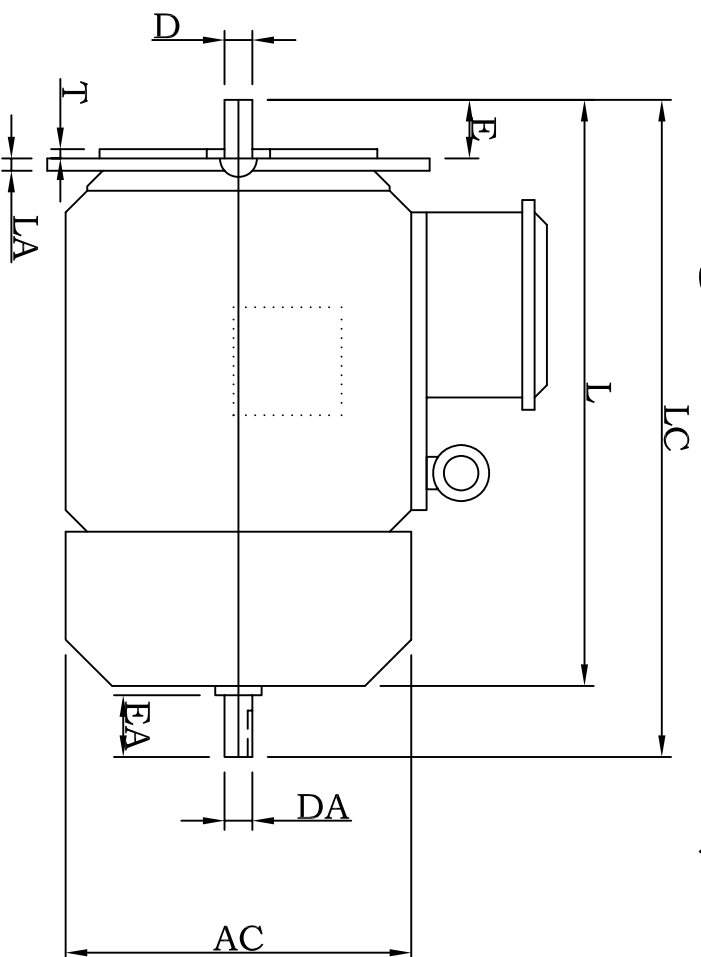


Flange Mounted Motors (B5 construction)



Frame Size	M	N	P	S	T	L	LA	AC	D/DA	E/EA	F	G	GA	LC
63	115	95	140	10	3	210	9	127	11	23	4	8.5	12.5	236
71	130	110	160	10	3.5	245	9	142	14	30	5	11	16	278
80	165	130	200	12	3.5	280	10	161	19	40	6	15.5	21.5	325
90S	165	130	200	12	3.5	324	10	180	24	50	8	20	27	378
90L	165	130	200	12	3.5	324	10	180	24	50	8	20	27	378
100L	215	180	250	15	4	374	11	208	28	60	8	24	31	439
112M	215	180	250	15	4	395	11	225	28	60	8	24	31	458
132S	265	230	300	15	4	470	12	264	38	80	10	33	41	560
132M	265	230	300	15	4	508	12	264	38	80	10	33	41	598

ALL DIMENSION ARE IN mm.